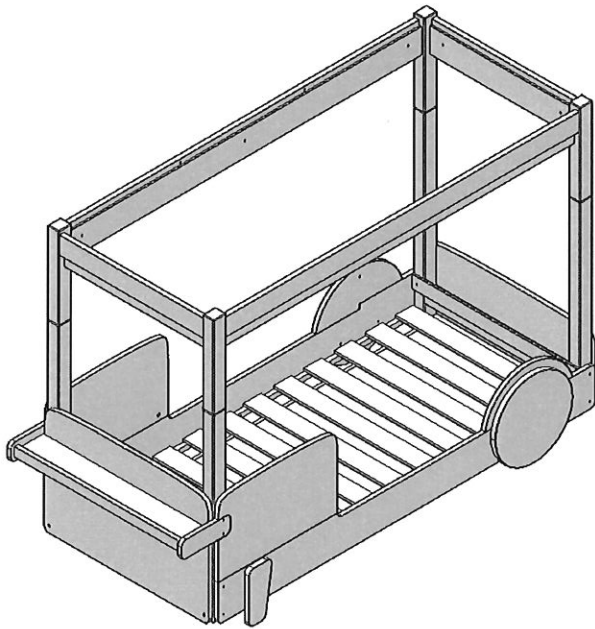


Lit baldaquin / Lit baldaquin avec tiroir-lit.  
Hemelbed / Hemelbed met bedschuif.  
Canopy bed / Canopy bed with pull-out bed.

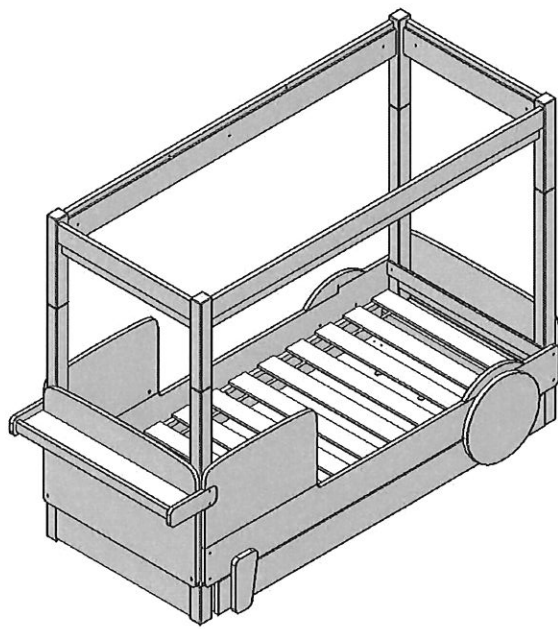


MATHYBYBOLS

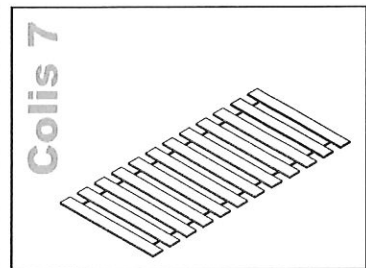
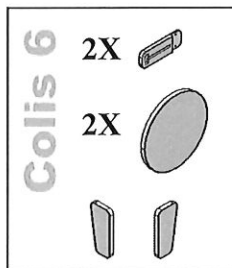
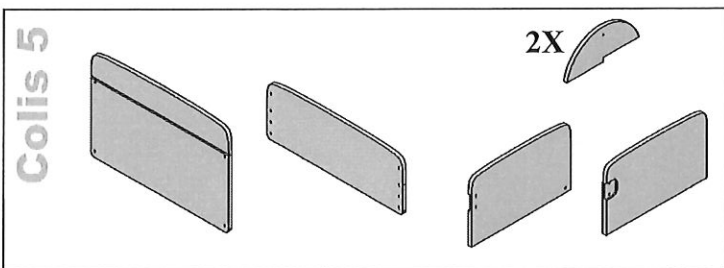
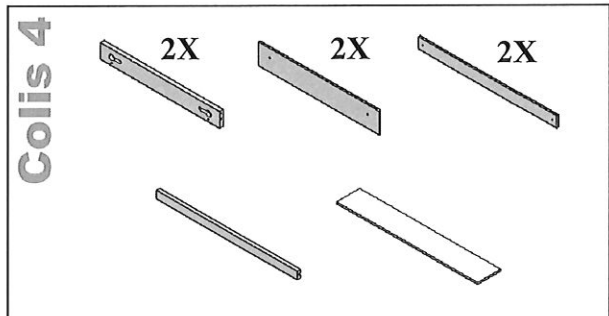
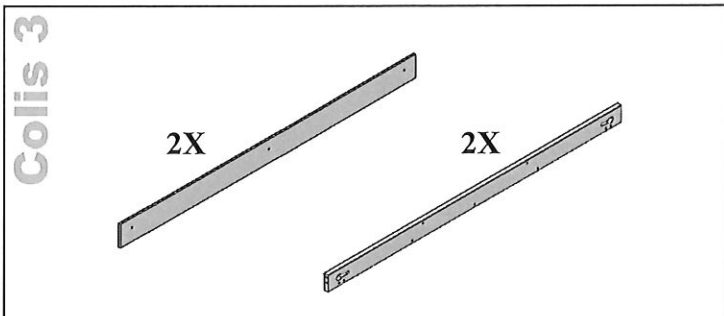
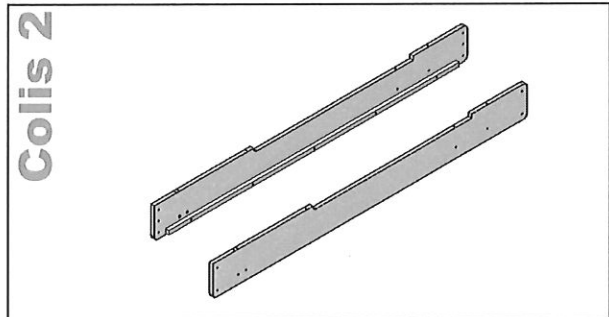
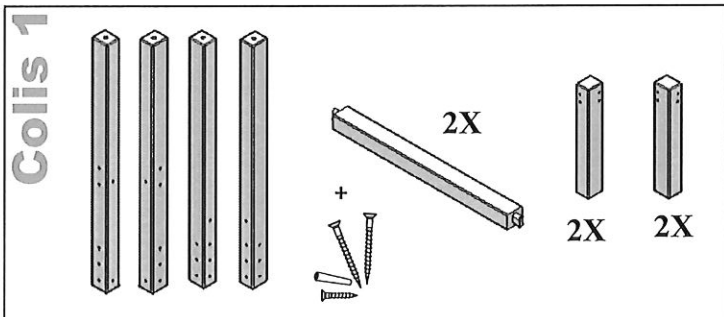
**DISCOVERY**

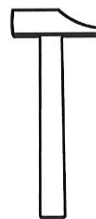
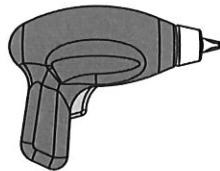
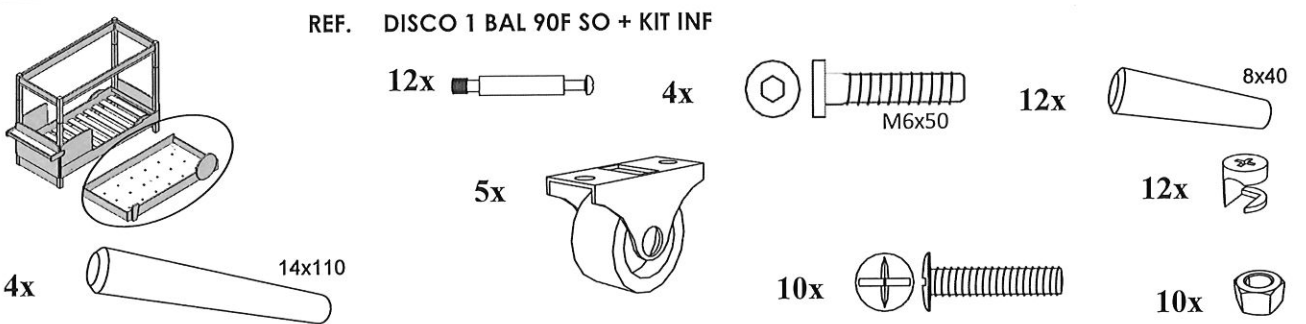
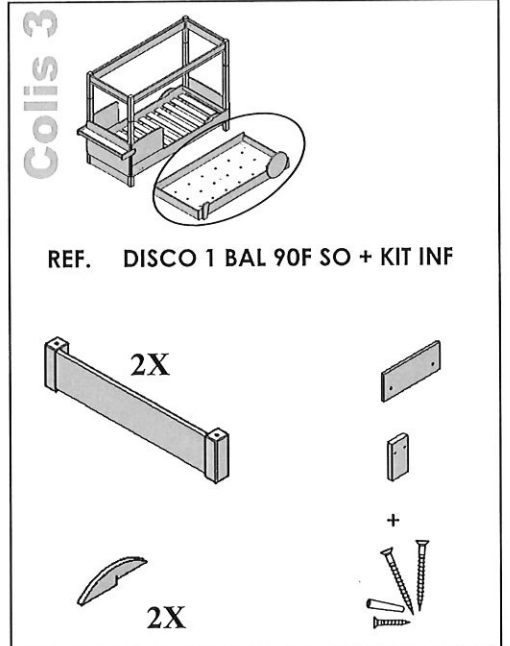
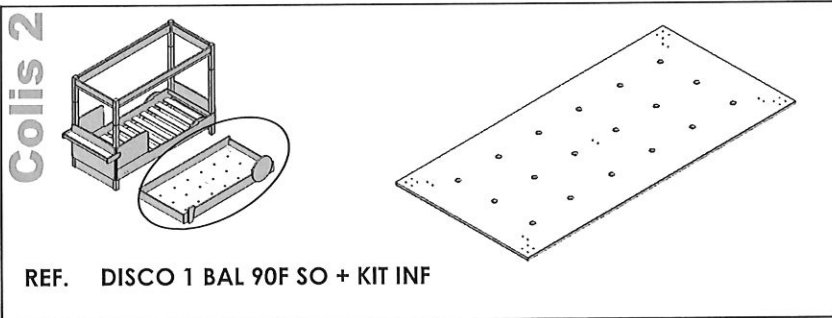
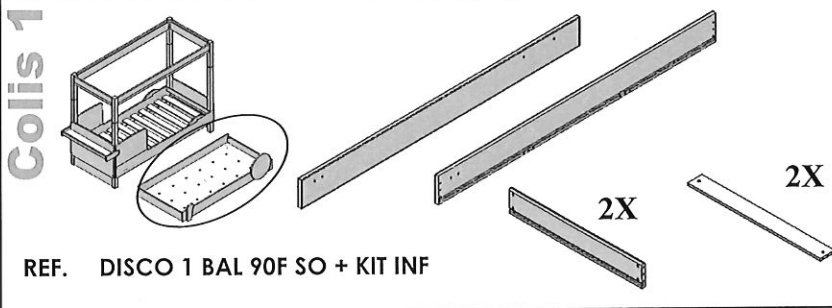
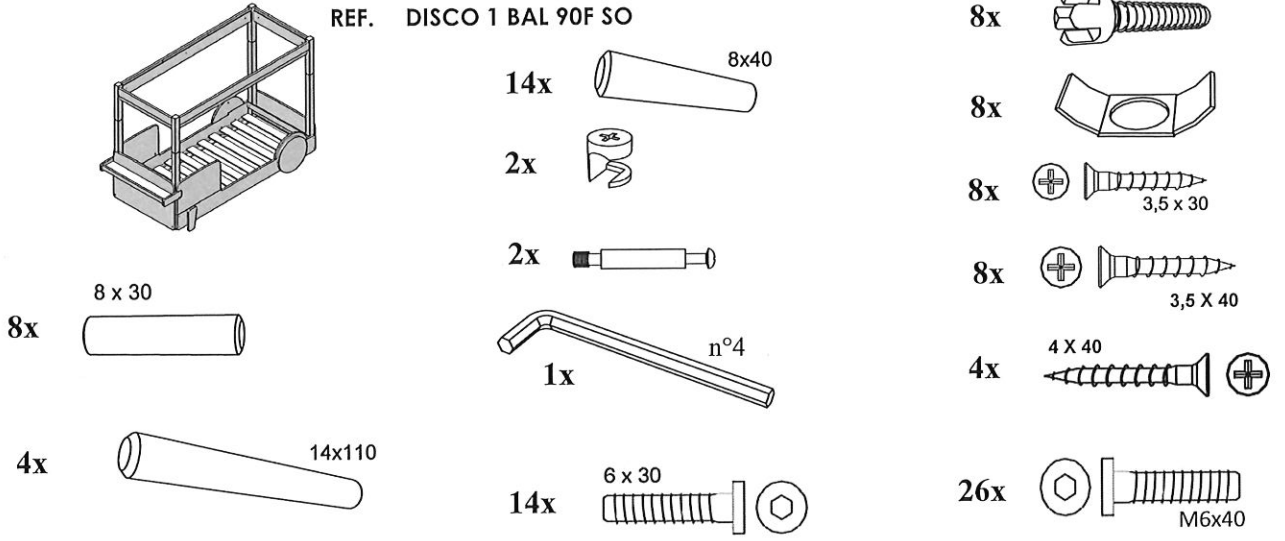


REF. DISCO 1 BAL 90F SO



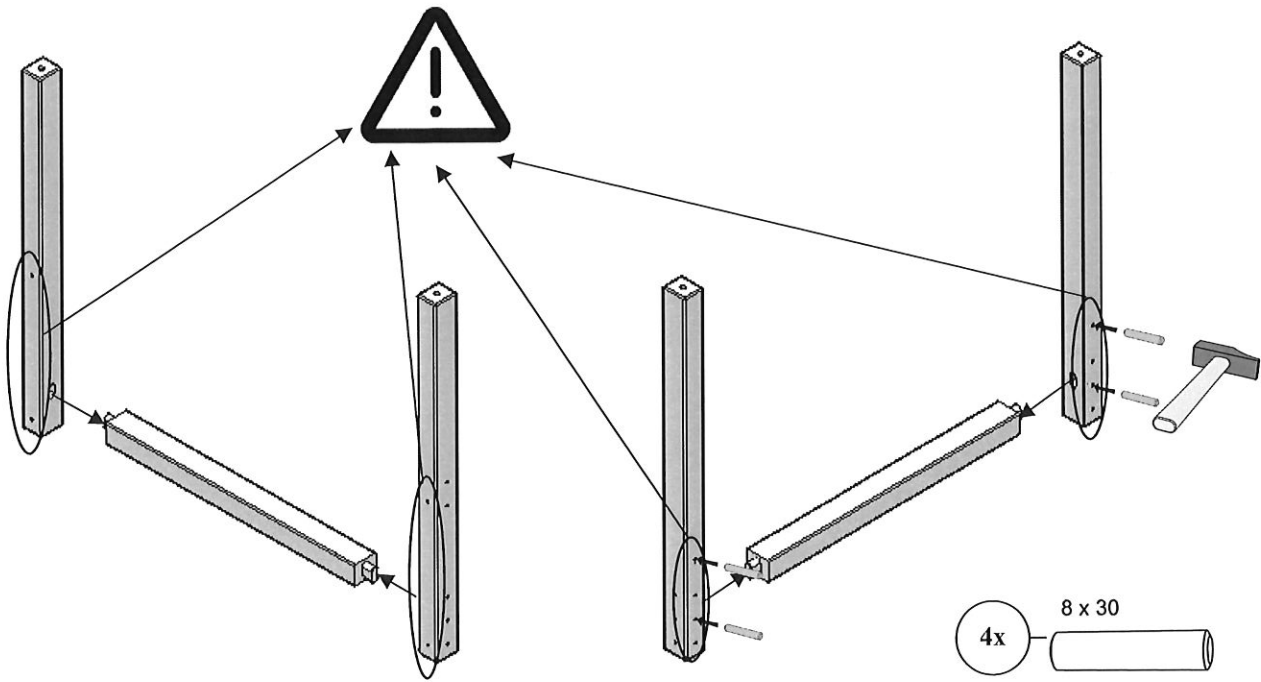
REF. DISCO 1 BAL 90F SO  
DISCO 1 KIT F INF



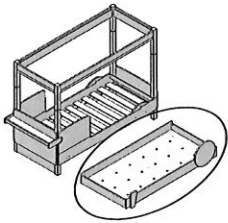




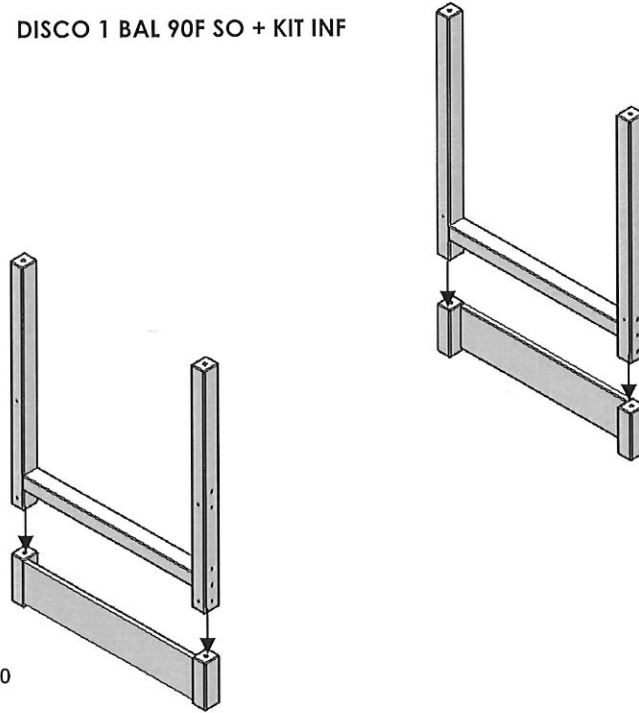
1



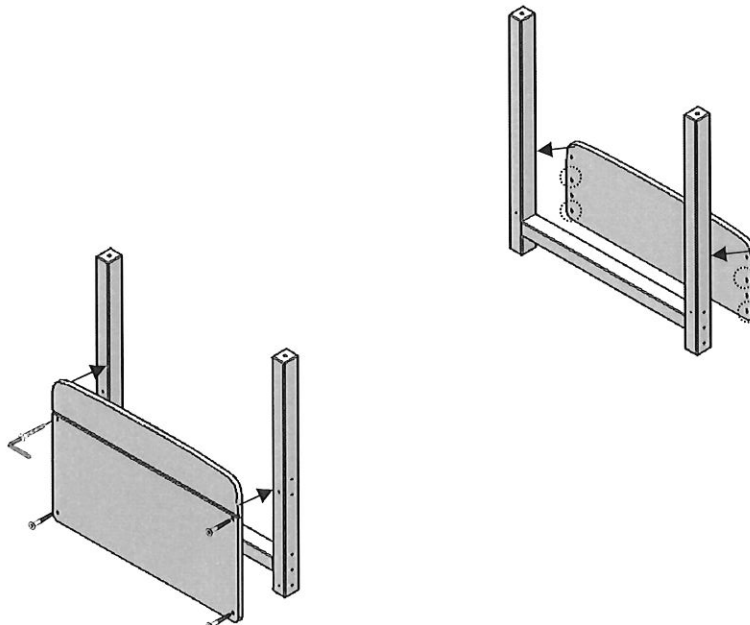
2



REF. DISCO 1 BAL 90F SO + KIT INF



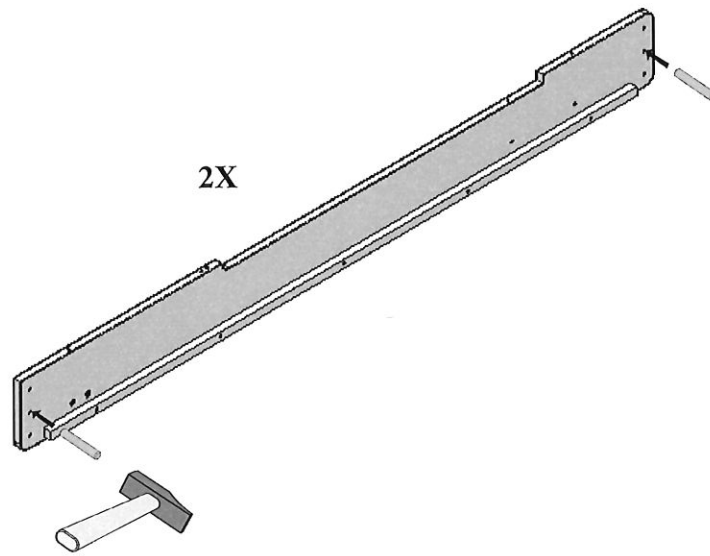
3





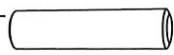
MATHYBYBOLS

4

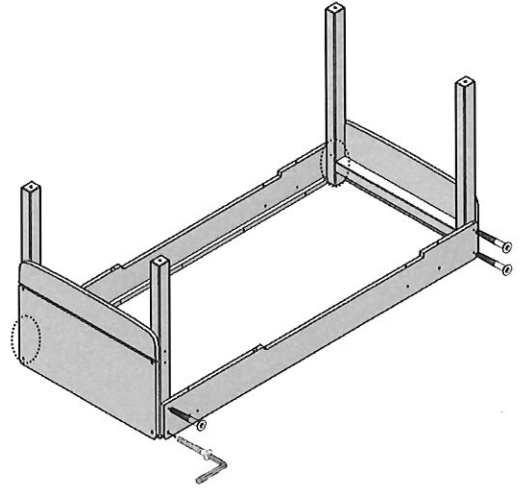
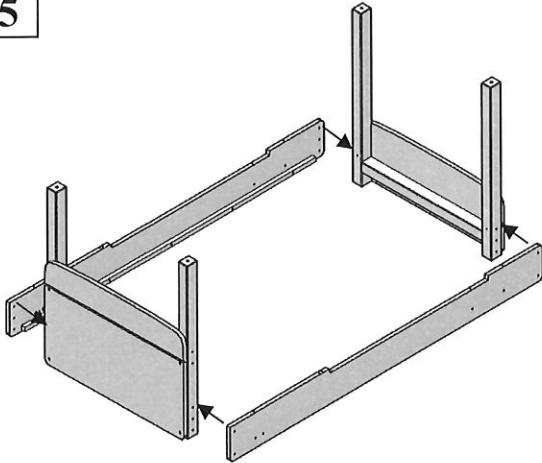


4x

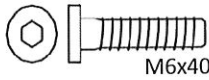
8 x 30



5

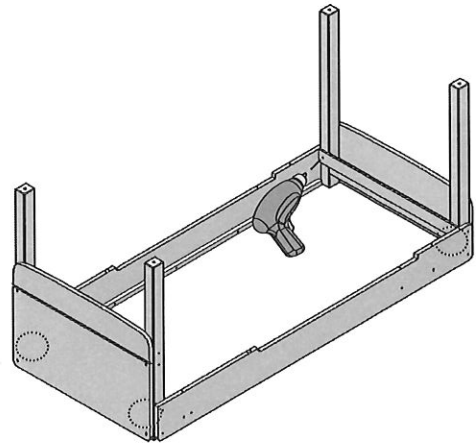
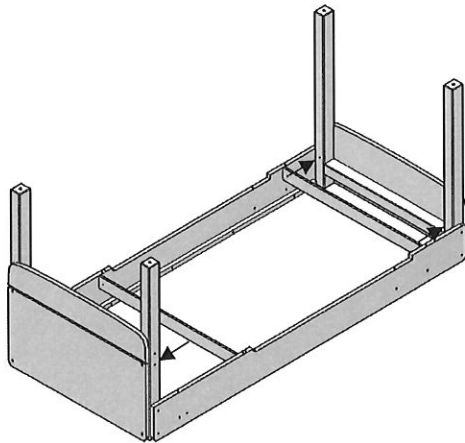


8x



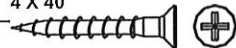
M6x40

6

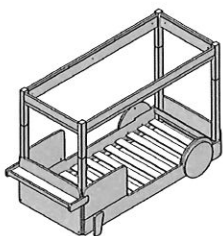


4x

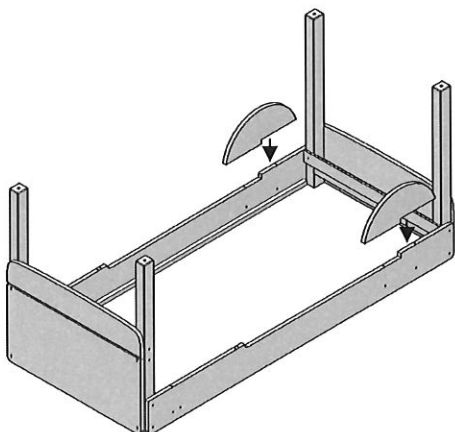
4 X 40



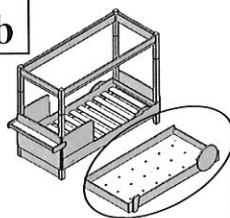
7a



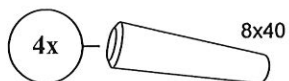
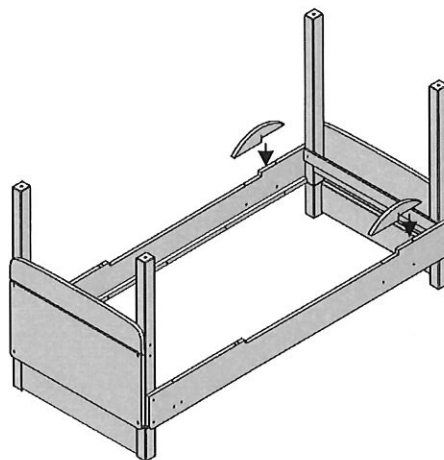
REF. DISCO 1 BAL 90F SO



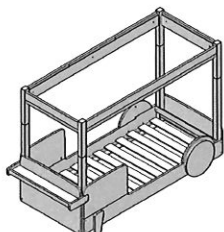
7b



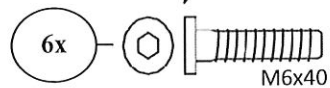
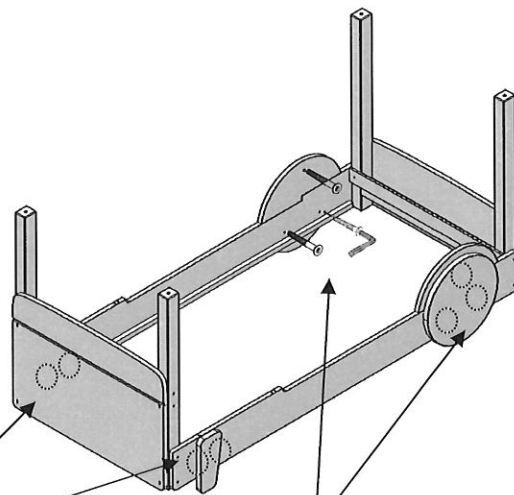
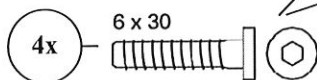
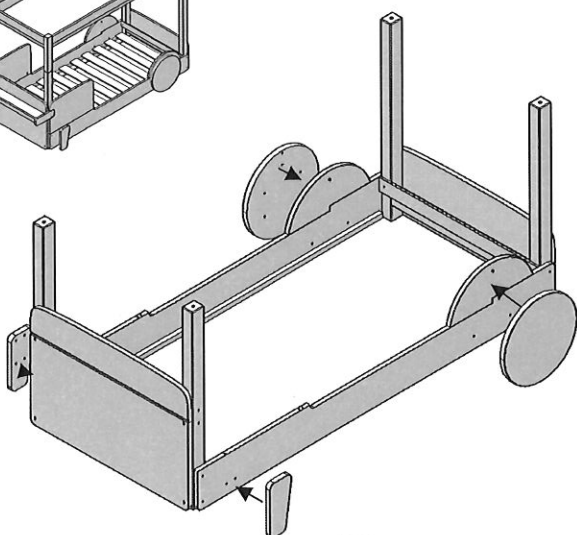
REF. DISCO 1 BAL 90F SO +  
KIT INF



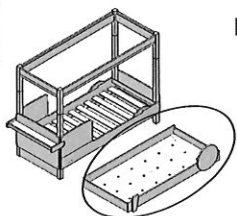
8a



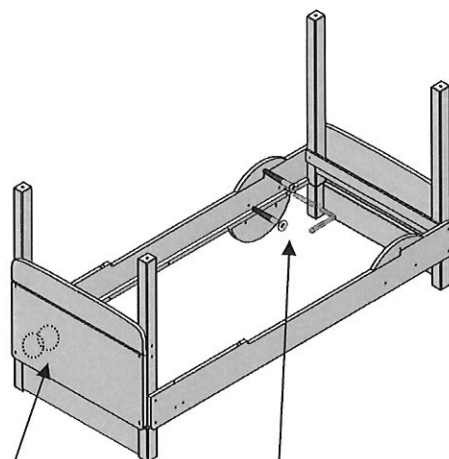
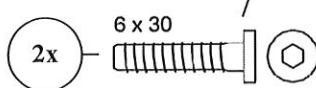
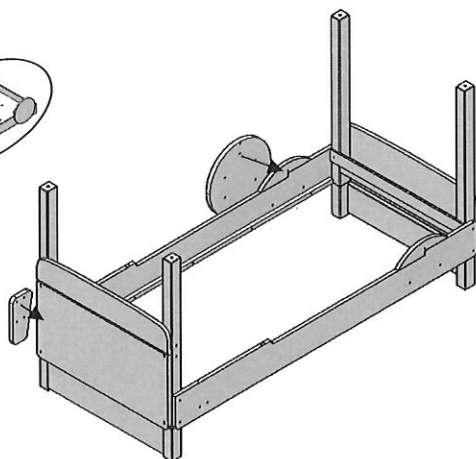
REF. DISCO 1 BAL 90F SO



8b



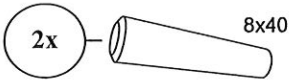
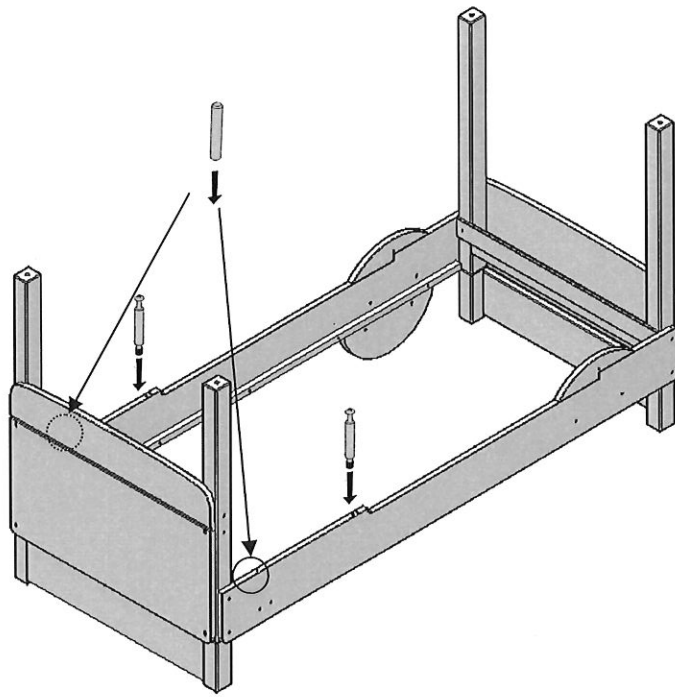
REF. DISCO 1 BAL 90F SO +  
KIT INF



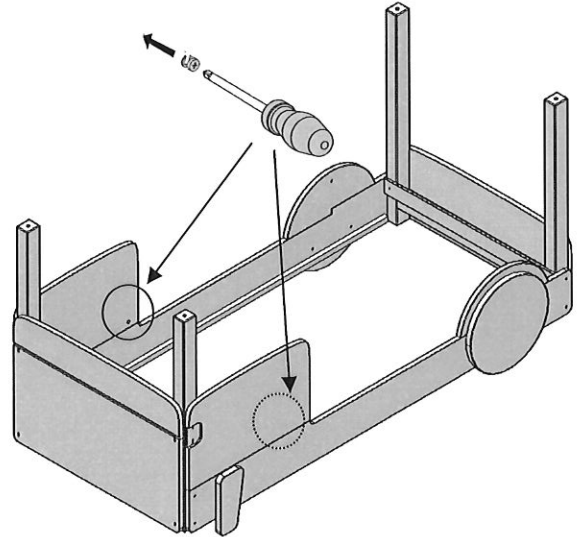
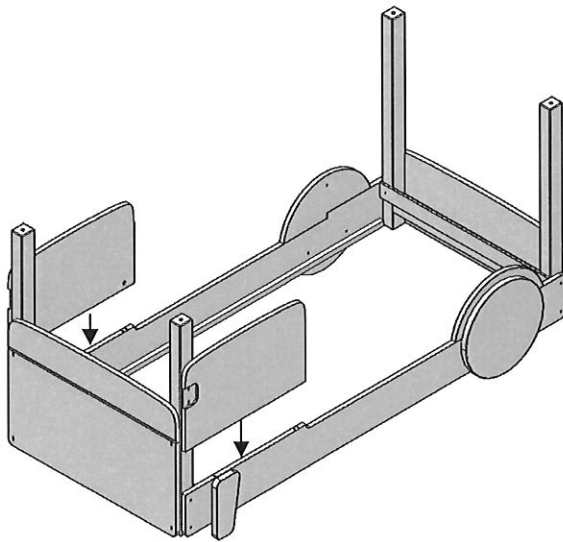
MATHYBYBOLS



9

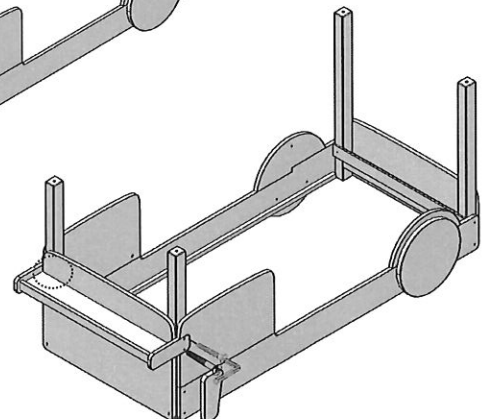
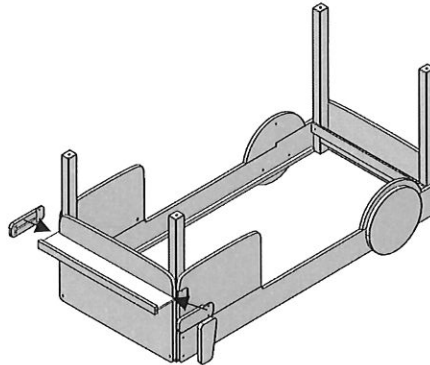
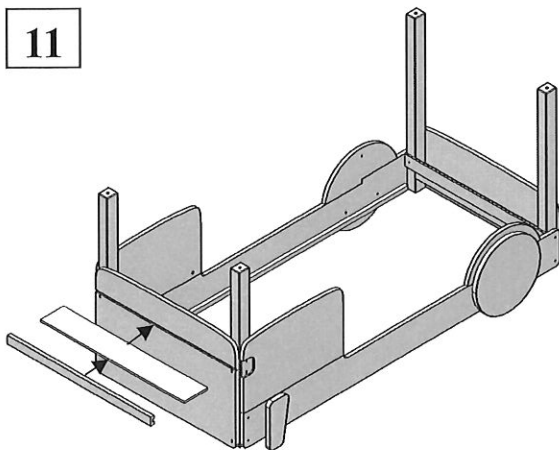


10



2x 

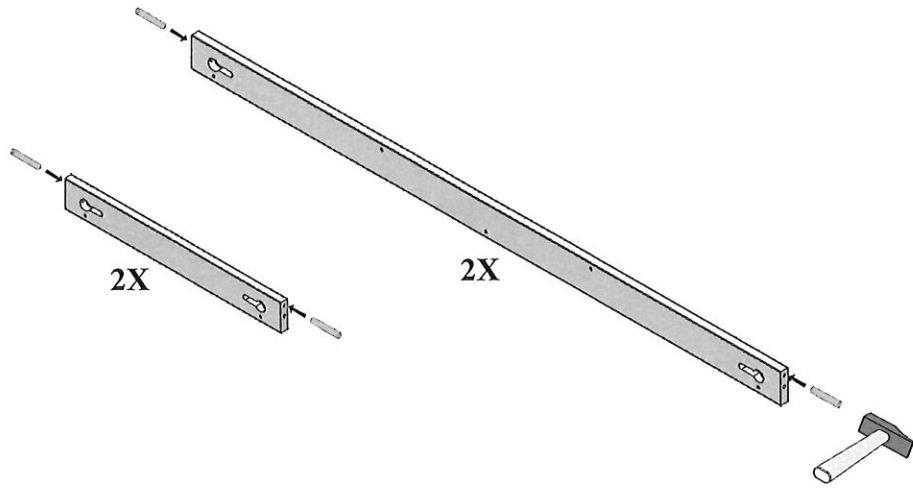
11



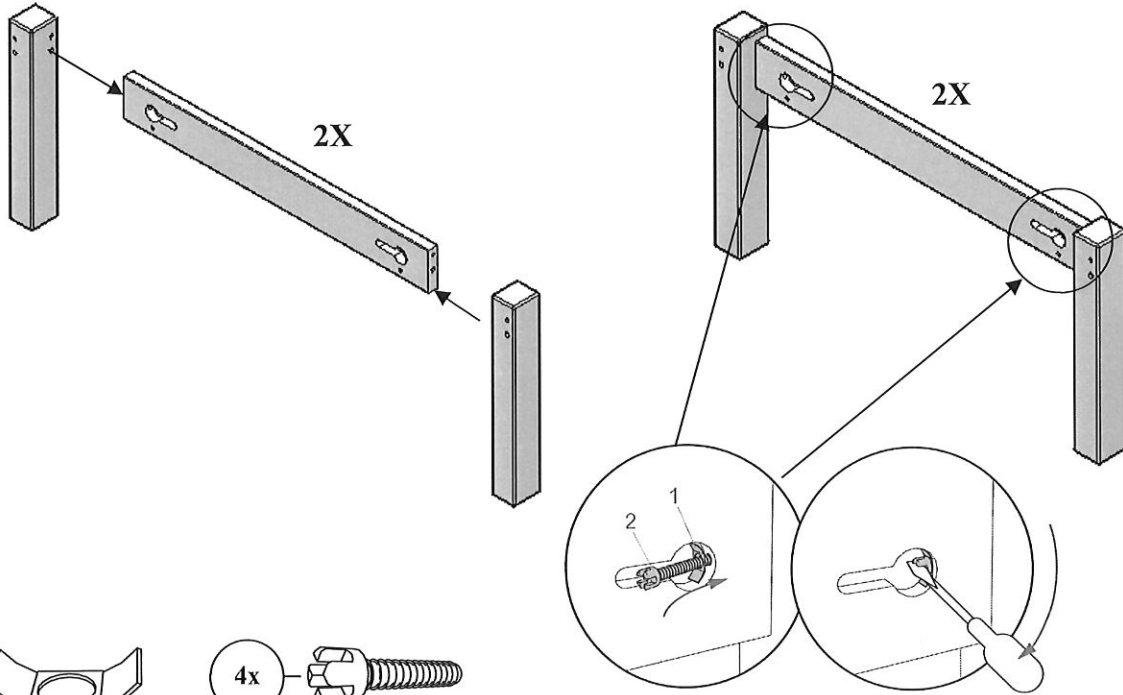
4x 

M6x40

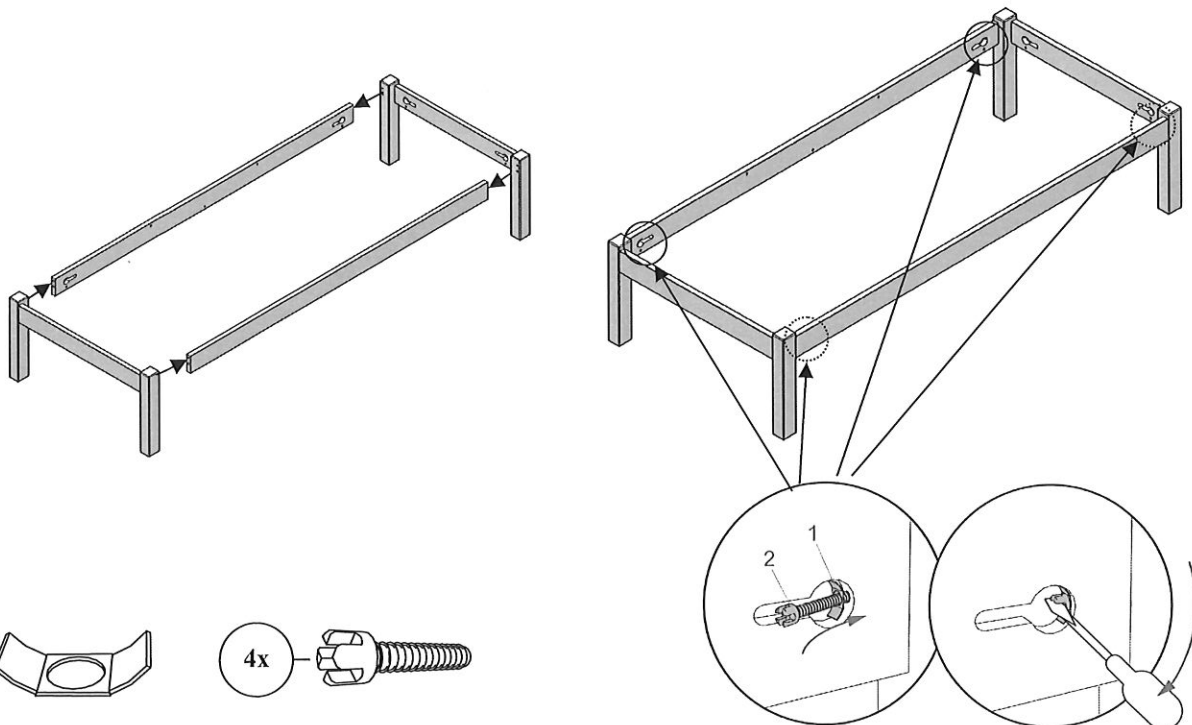
12



13



14



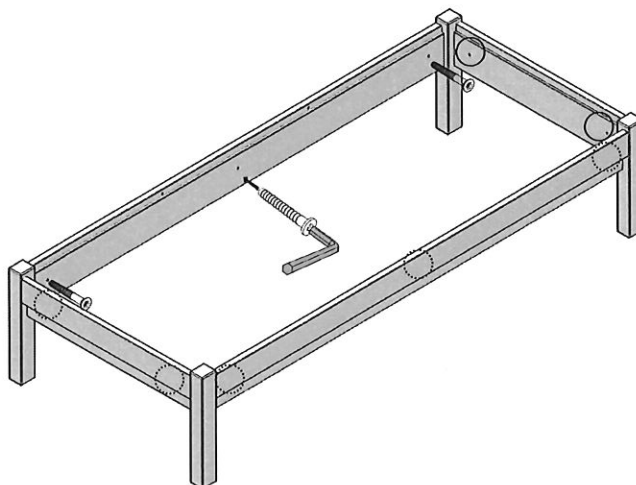
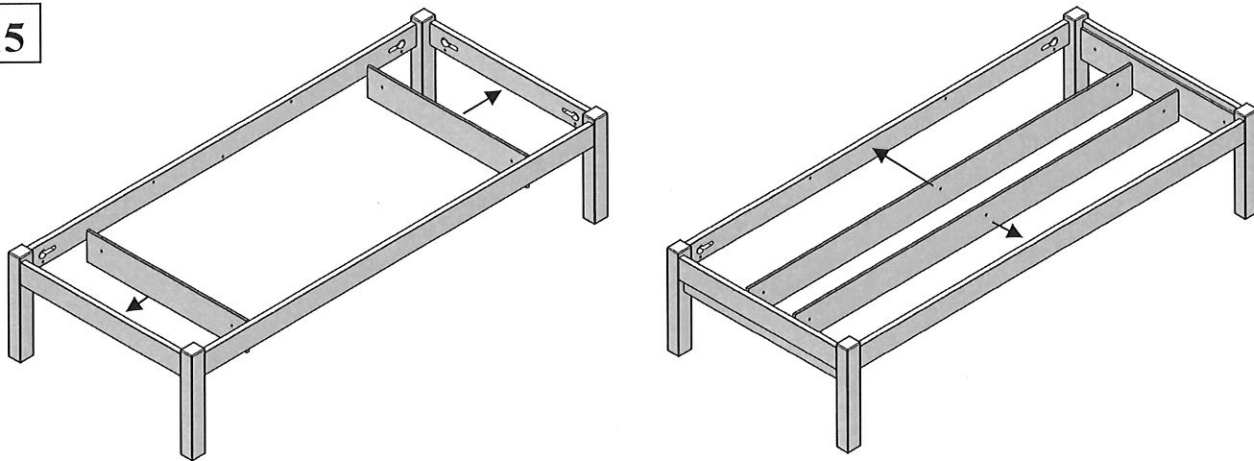
MATHYBYBOLS





MATHYBYBOLS

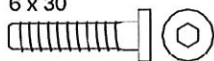
15



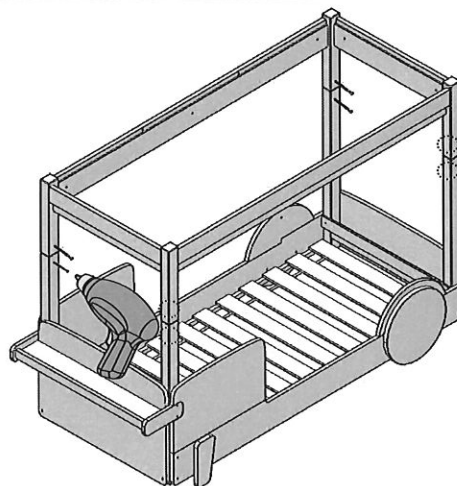
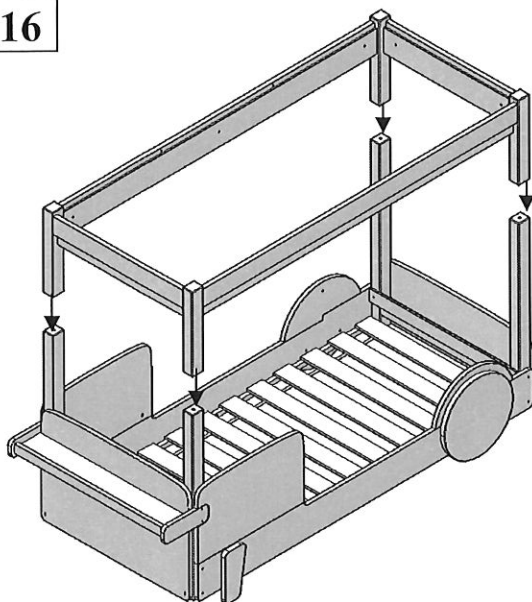
8

10x

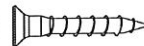
6 x 30



16



8X



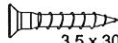
3,5 X 40

4x



14x110

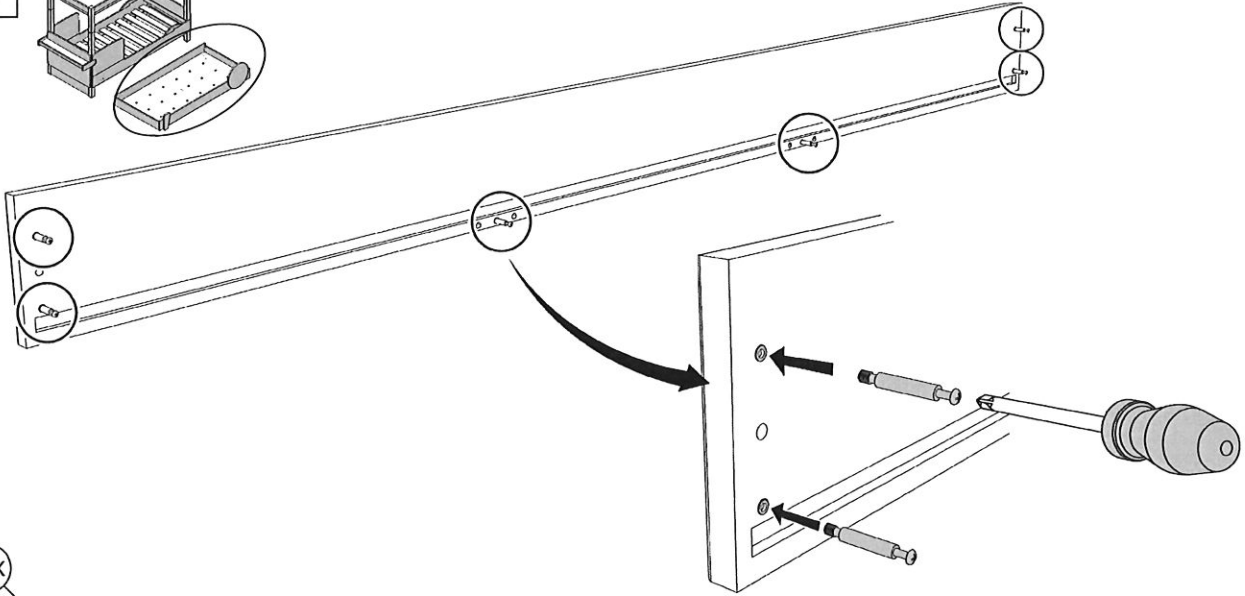
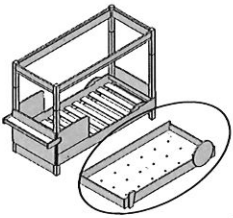
8X



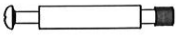
3,5 x 30



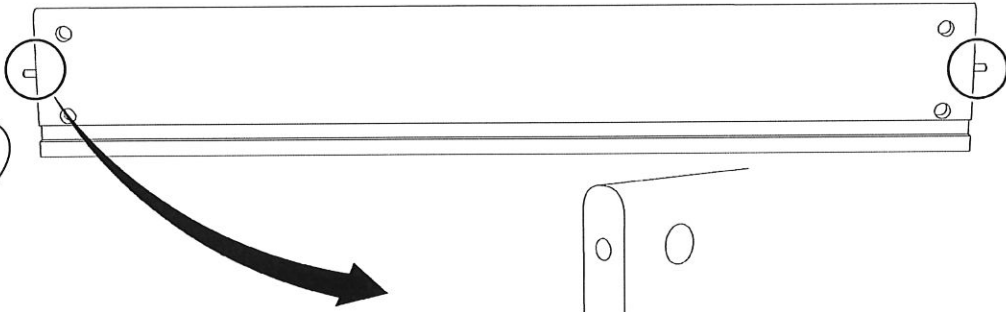
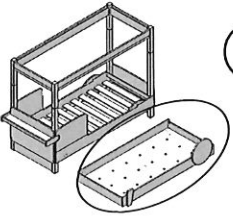
17



12X



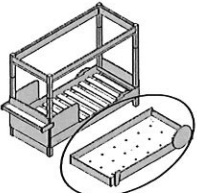
18



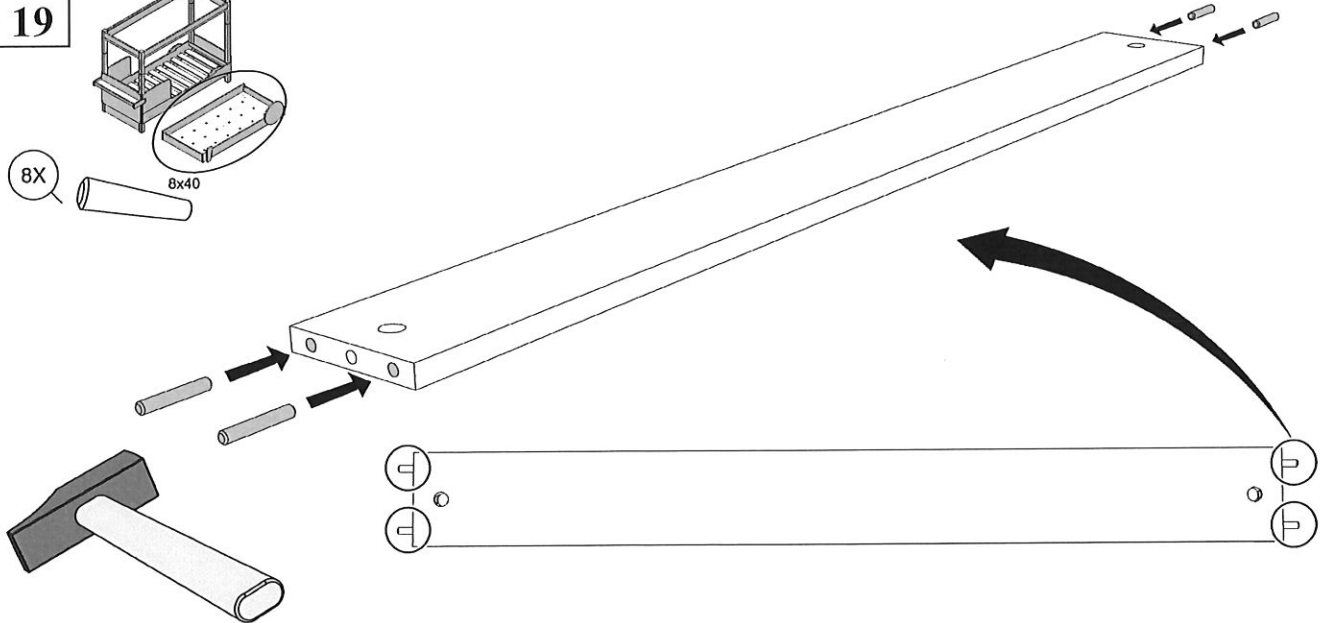
4X



19



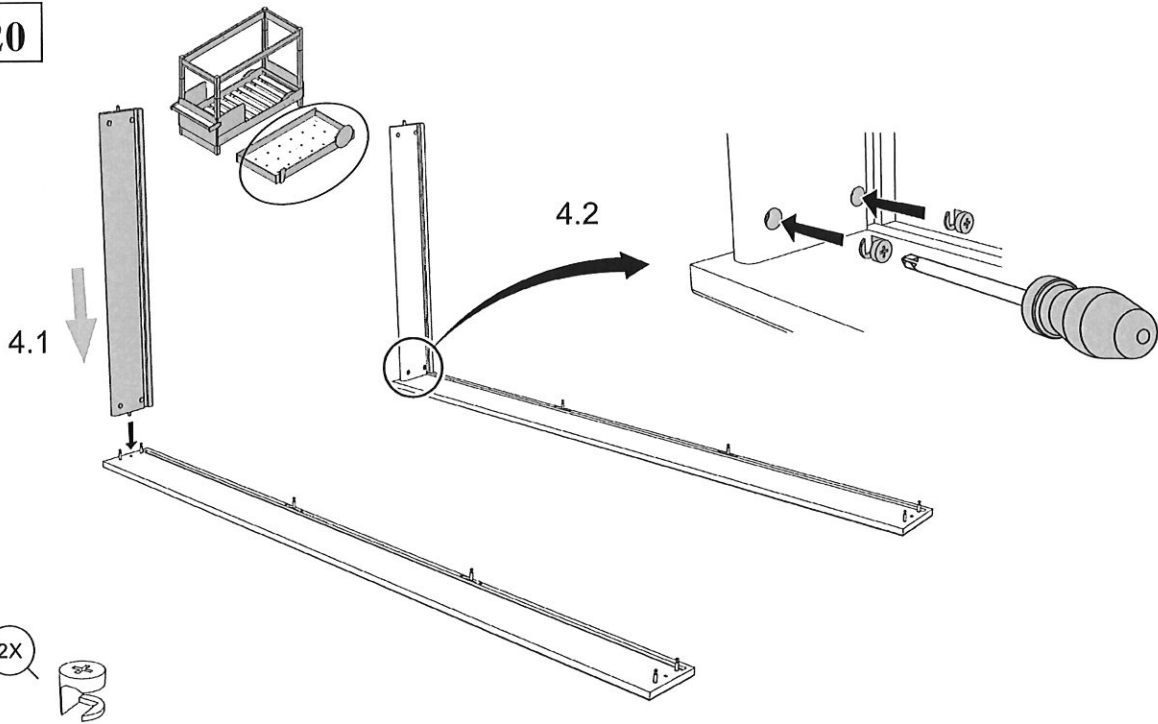
8X



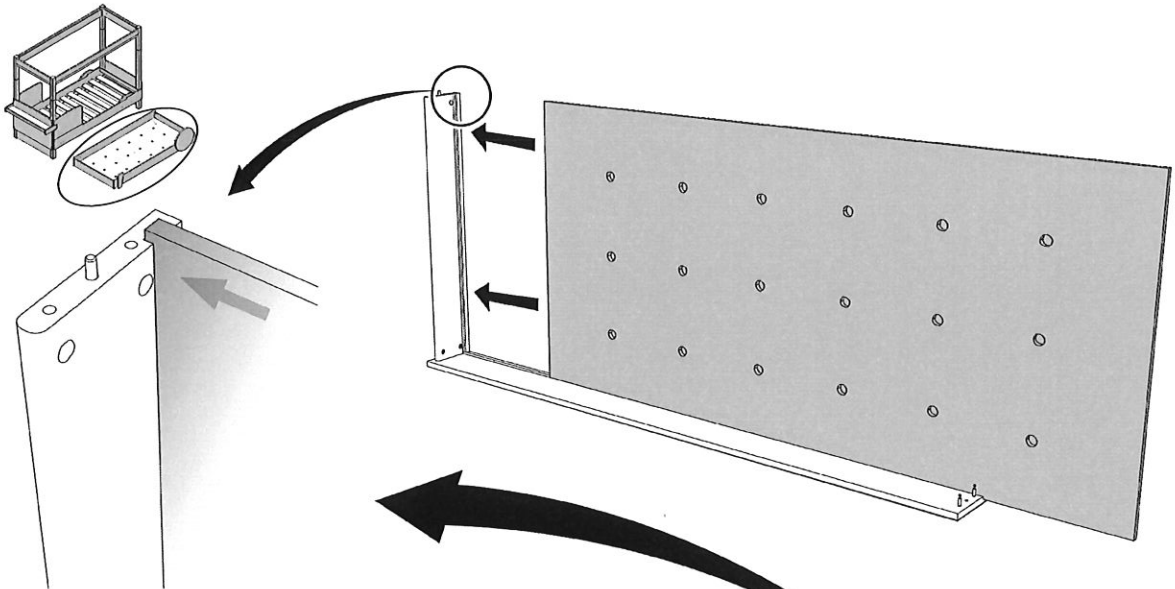
MATHYBYBOLS



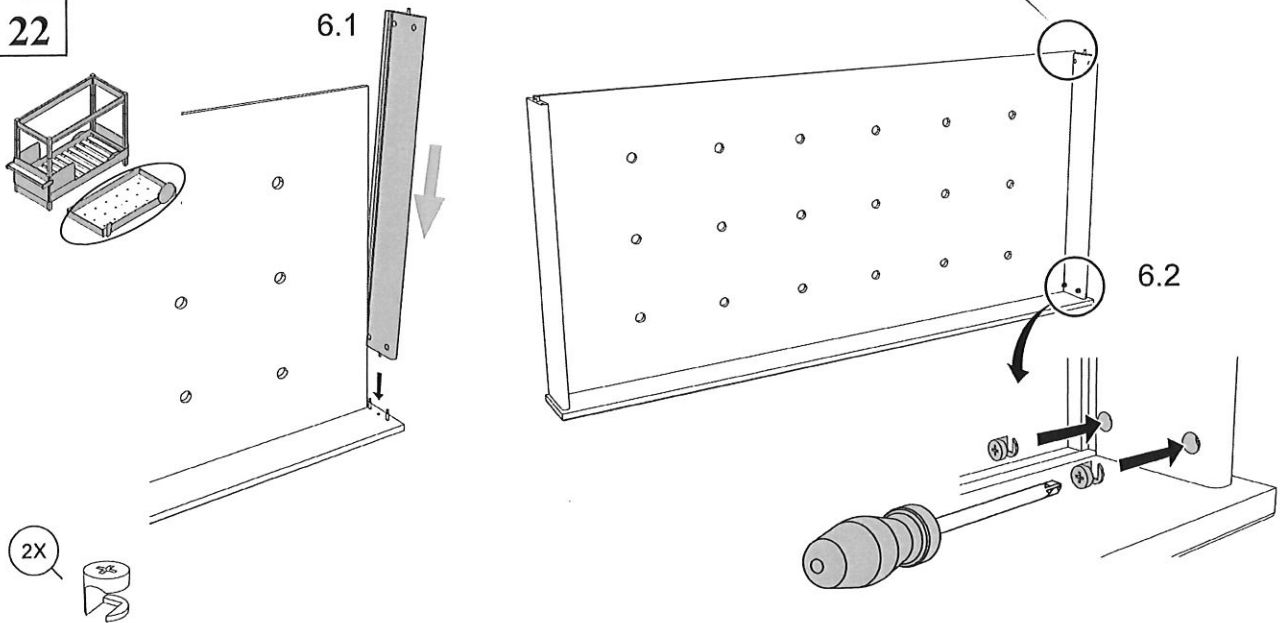
20



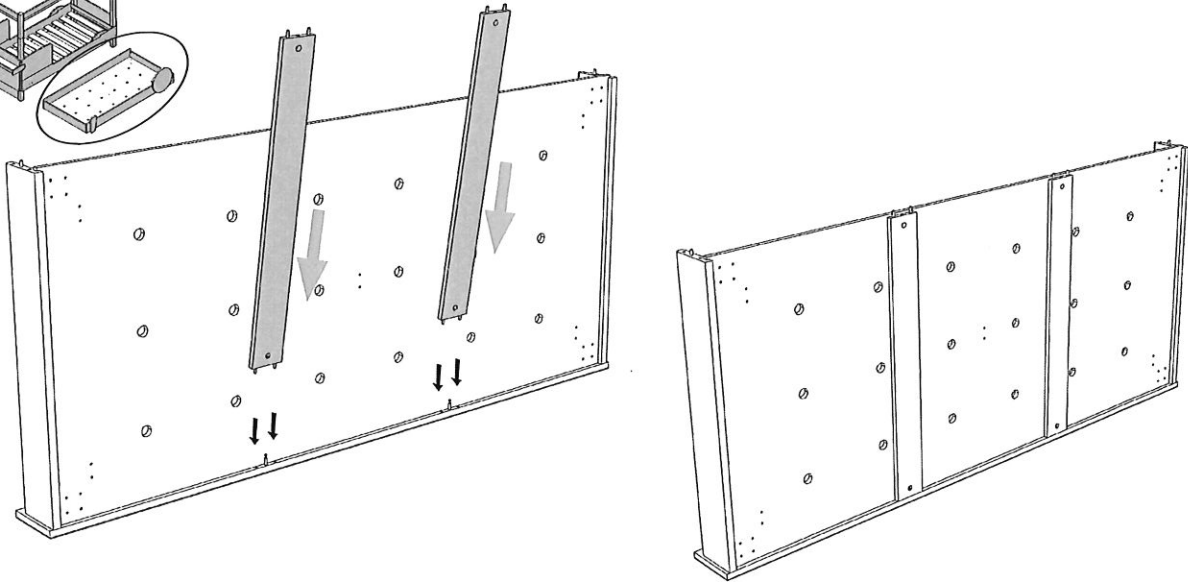
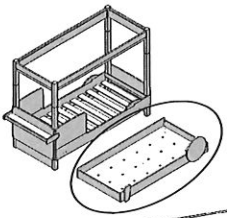
21



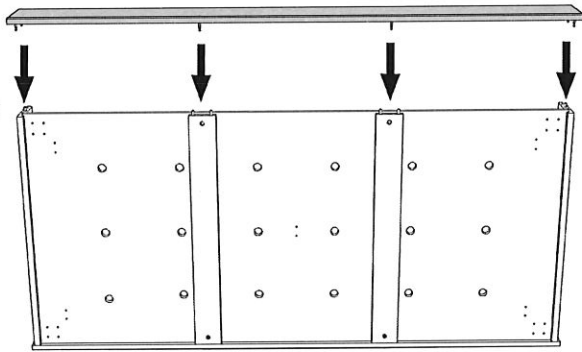
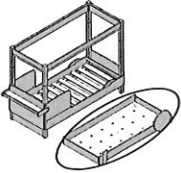
22



23

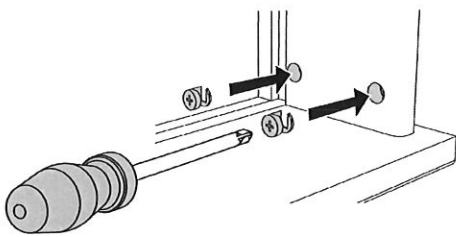
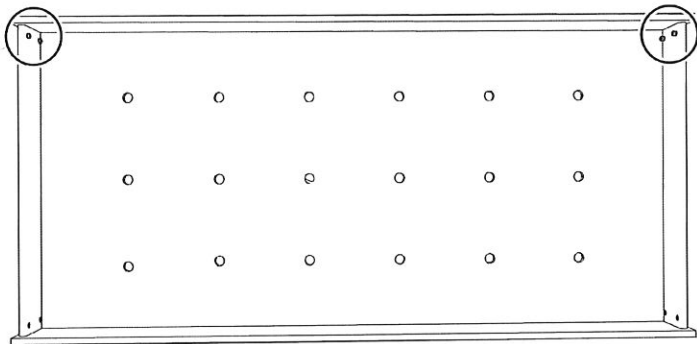


24

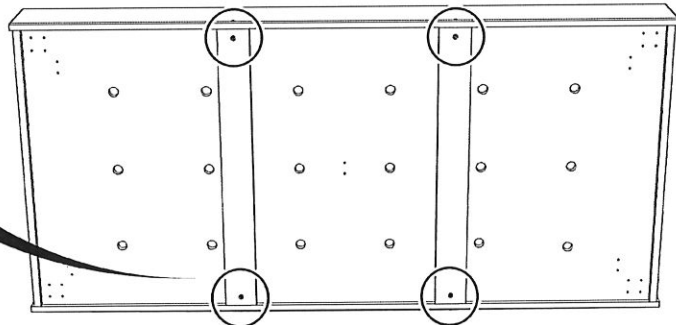


8.1

8.2



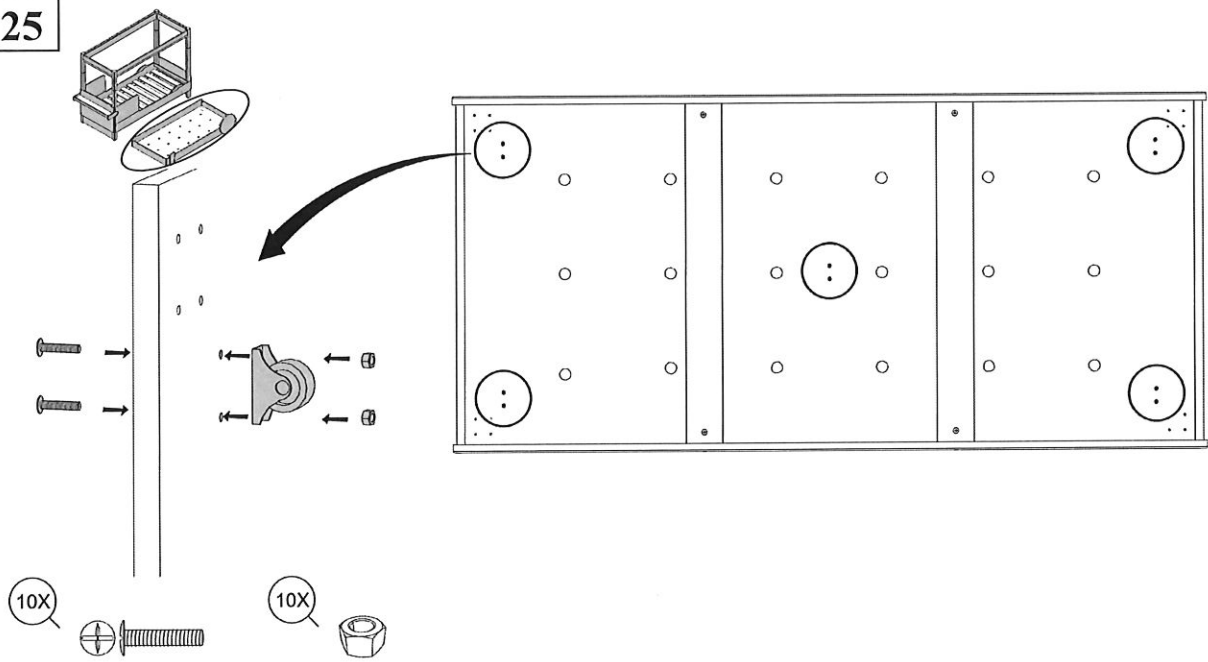
8.3



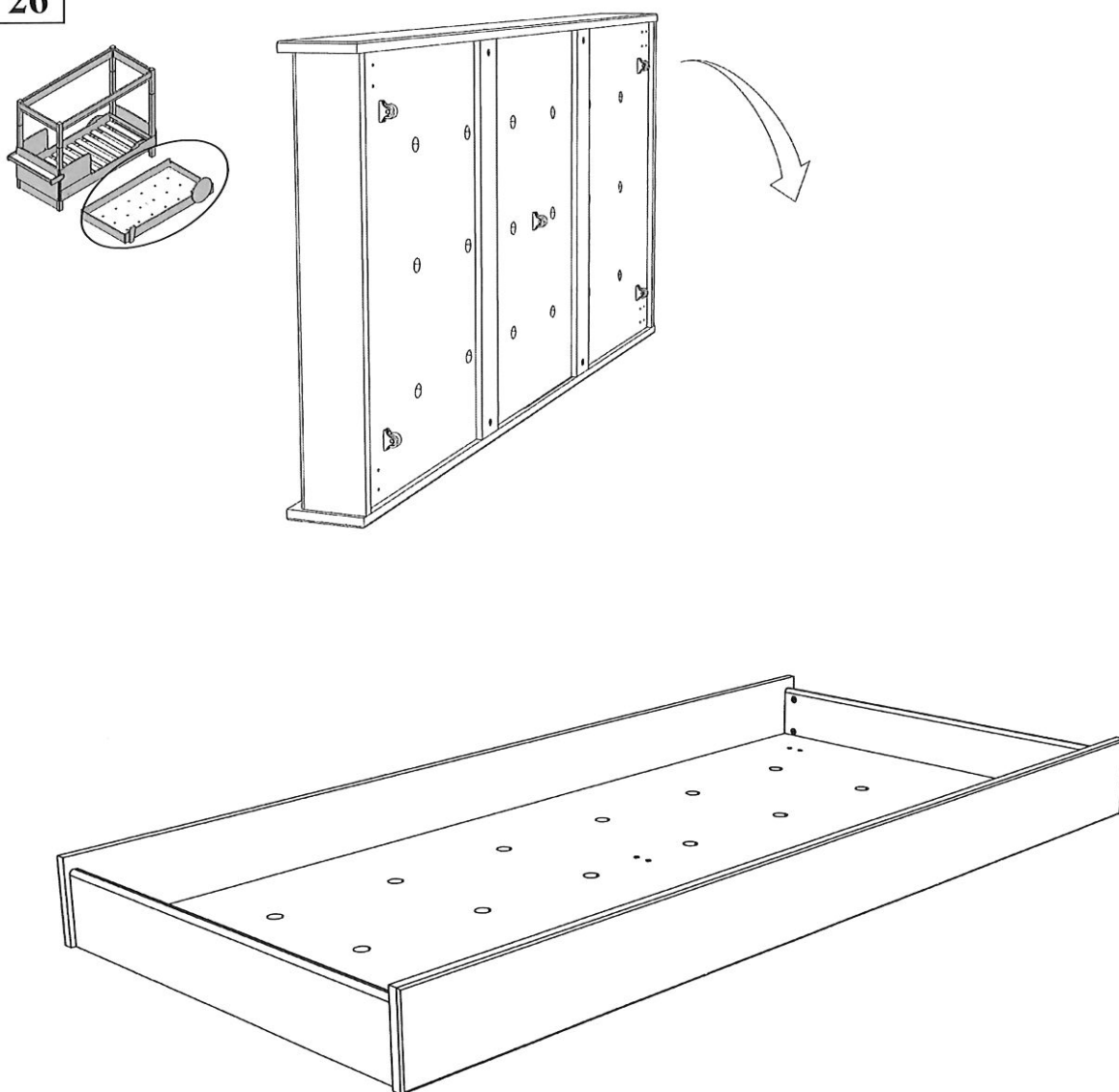
8X



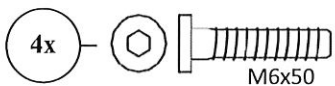
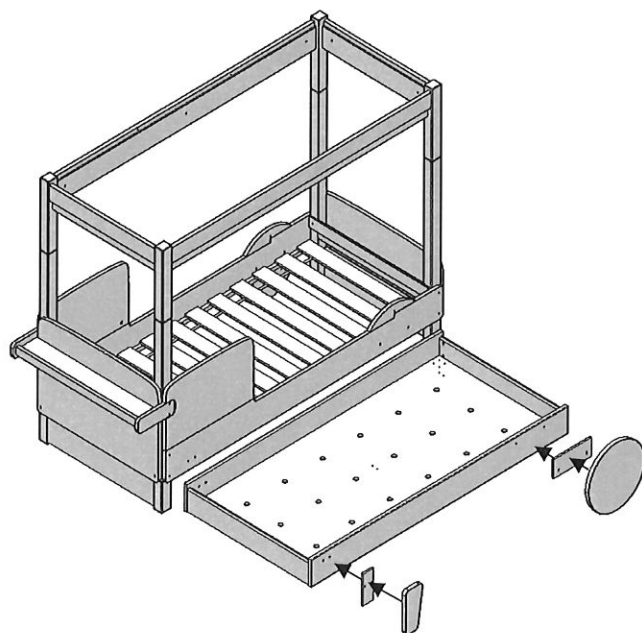
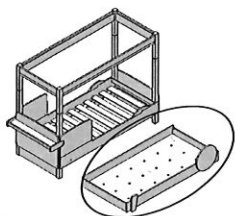
25



26



27



28

